

Zeta ECO LED Downlight Mini

The Zeta ECO LED Downlight Mini encompasses a robust heatsink, is lightweight and has an illumination enhancing reflector. The solution offers a perfect replacement for high power, low efficiency CFL units.

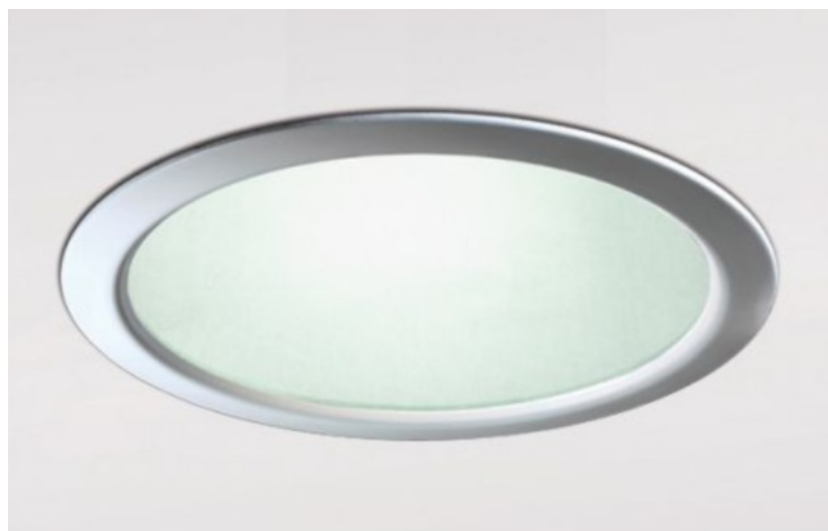
Suitable for various applications including commercial, retail, food and beverage and educational establishments. The ECO LED Downlight improves lighting levels and reduces power consumption; in turn enabling significant energy and cost savings to be realised.

The ECO LED Downlight Mini is extremely easy to install and has an average rated life of 60,000 hours meaning maintenance cycles are significantly reduced.



Features:

- Robust heatsink
- Easy to install
- Lightweight solution
- IP54 rated
- UV Resistant
- Energy, cost and carbon saving

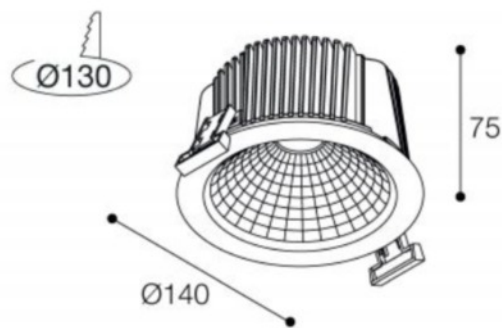


Applications:

Interior :

- Retail
- Educational establishments
- Restaurants/ bars
- Exhibition centres
- Train stations
- Airports

Dimensions



Specifications

Wattage (W)	14W	
Lumen Output (lm)	1490lm	
Cover/ Diffuser	Frosted glass	Clear glass
Colour Rendering Index (CRI)	80	
Power Factor	0.95	
Colour Temperature (CCT)	4000K	
Warranty	3 Years*	
IP Rating	IP54	
Impact Rating	IK04	IK07
UGR (Unified Glare Rating)	<22	<19
Weight (kg)	0.6kg	
Beam Angle	89°	94°
Ambient Temp Range (°C)	-20 to +40°C	
Average Rated Life	60,000 hrs	
Input Voltage (V)	220 - 240V AC 50/ 60Hz	
Body Material	Die-cast aluminium frame and heat sink	
Finish	White	
Dimmable? (Y/N)	Y (DALI)	
Emergency Option? (Y/N)	N	

*Standard warranty period is 3 years, once registered the warranty increases by a further 2 years.



FPI 45718

For more information visit: www.zetaled.co.uk

Zeta Specialist Lighting

Telford Road, Bicester
Oxfordshire OX26 4LB

Tel +44(0)1869 322500
Email info@thezetagroup.com

zeta
Specialist Lighting